

PO Box 15086
Lambton, 1414

CK: 94/38257/23
VAT: 426 015 1206

Simple Systems cc

April 20, 2010

K-Lite KT-107 - design considerations

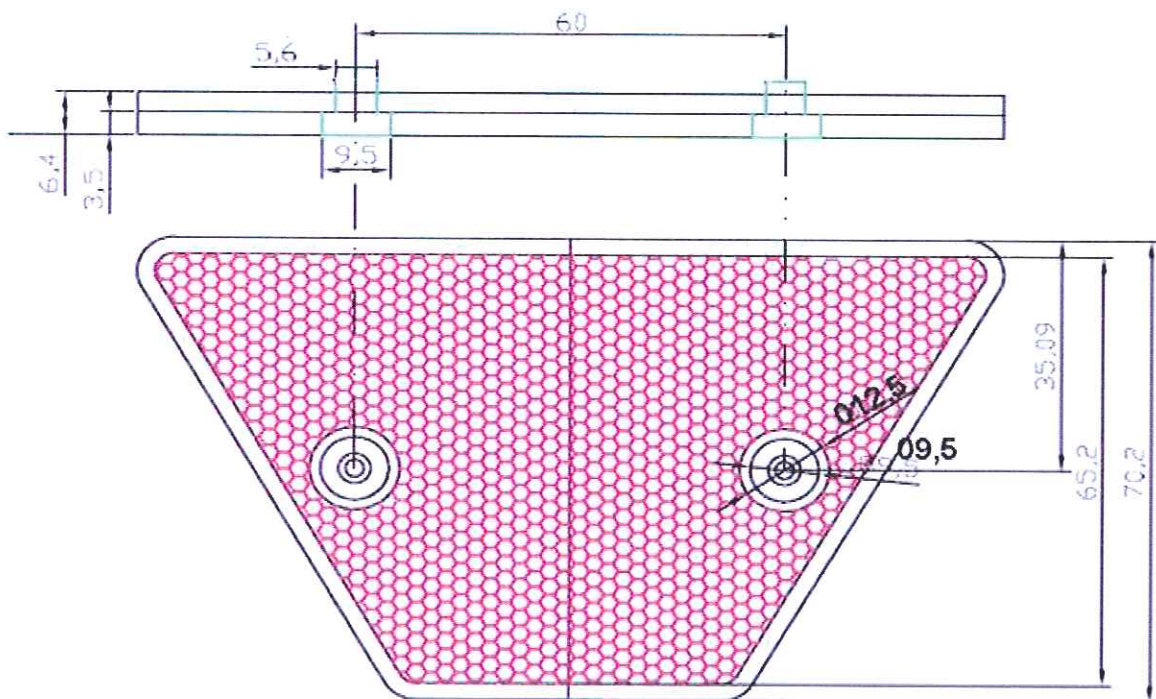
Overview

K-Lite (Brand) KT-107 (Model) is a Plastic Retro Reflective Lens mounted (using standard 4.8 x 8 pop rivets) on-to a Hot-dipped galvanised steel back plate with white reflective vinyl sandwiched in between. Included are drawings and product specification. All measurements in millimetre

K-Lite Red Retro Reflective Lens

Shape: Trapezium

Photometric value: ≥ 600 mcd/lux



We put Simplicity back in technology

Hot-dipped galvanised steel back plate

Commercial quality 1.6 mm thick base plate , Hot Dipped Galvanised to SABS 1461, 45 µm

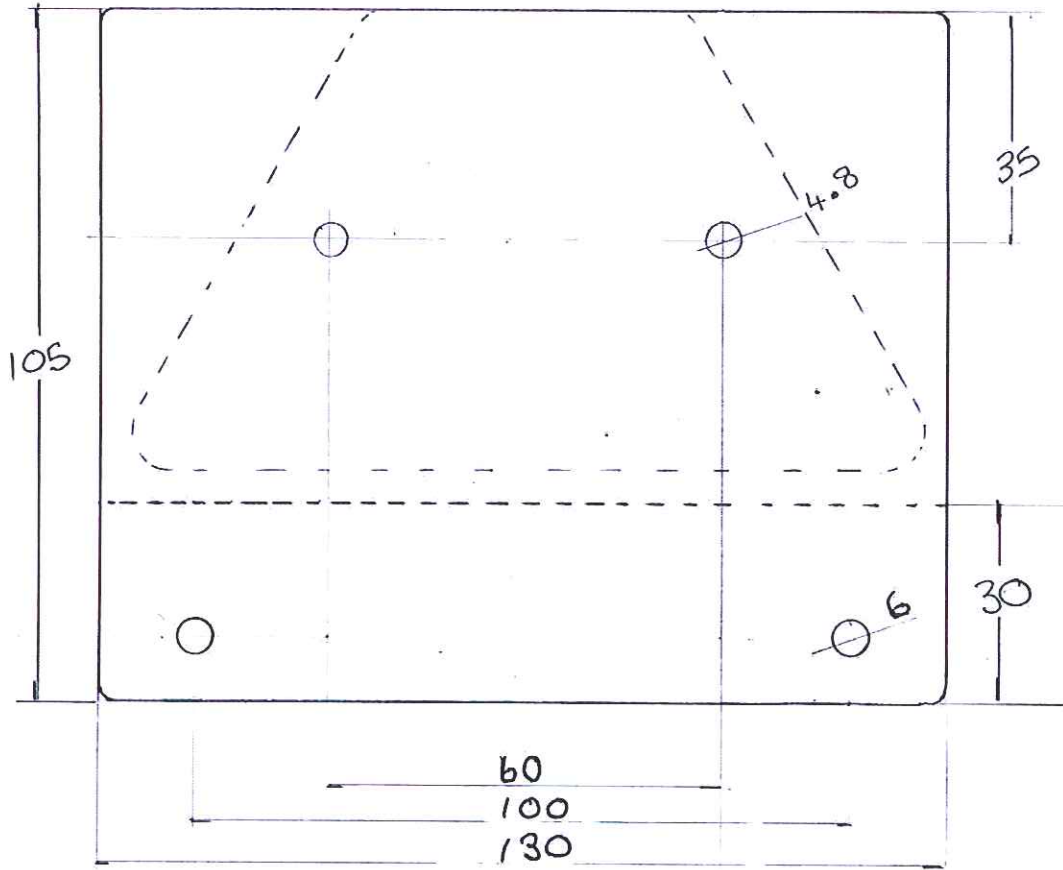
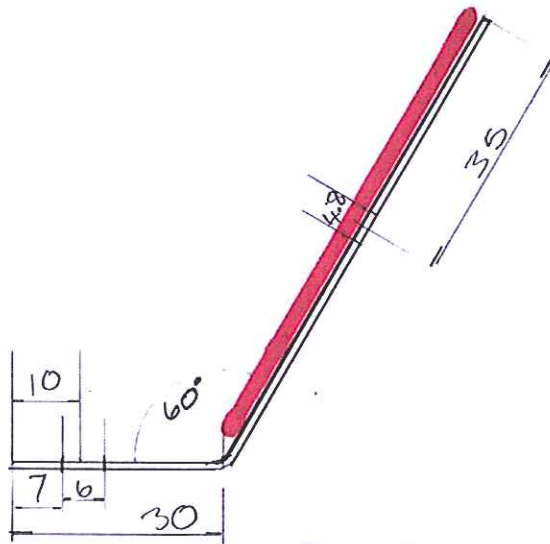
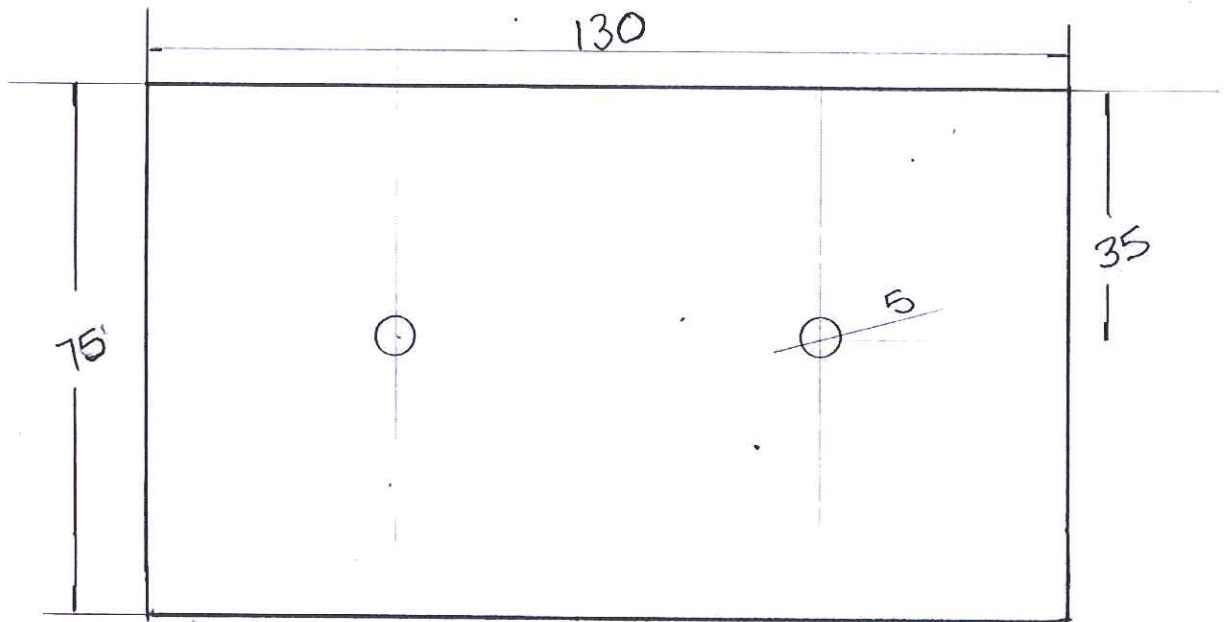


Plate must be galvanised after fabrication, before assembly to ensure the galvanising is not damaged during bending



White reflective vinyl

7 Year, Class 1 engineering grade reflective tape – White
Attached to galvanised plate with pressure sensitive glue



Pop rivet x 2

Commercial grade aluminium Pop rivets, 8mm x 4.8mm, length is not critical

Kind Regards
JH Janse van Rensburg (Managing Member)
Koos@simple.co.za
083 280 7778



PO Box 16086
Lambton
1414
CK: 94/38257/23
VAT: 426 015 1206



April 14, 2010

To Whom It May Concern - **K-Lite KT-107**

Both "**K-Lite**" and "**KT-107**" are registered trademarks of Simple Systems cc

The reflector and mounting method was designed and developed by Simple Systems

Simple Systems did not Patent the reflector design or the mounting method and will not do so in future

The reflector design and mounting method should stay free of patents and available for anybody to use

Simple Systems will oppose any attempt to patent either the reflector design or the mounting method

The Reflector is a plastic reflective lens attached with pop rivets to a hot dipped galvanised steel base

K-Lite refers to the brand of reflector, KT-107 is the model number of the reflector and refers to the complete assembly described above (Plastic reflective Lens, steel base, pop rivets and reflective tape)

Kind Regards
JH Janse van Rensburg (Managing Member)
Koos@simple.co.za
083 280 7778

We put Simplicity back in technology

